

---

# Broadhead Flight

## (USA Archery Only)

---



The Broadhead Flight events intend to represent the type of arrows and equipment used for hunting. Unlike the Regular Flight competition, the Broadhead Flight competition requires that the arrows meet or exceed a minimum weight, and are equipped with a legal hunting broadhead (per most US hunting regulations). The Broadhead Flight equipment divisions are unique to USA Archery. Refer to the Regular Flight Rules regarding field layout, registration, measurement, and shooting.

### 1. REGISTRATION

---

#### A. Bow and Arrow Qualification (Broadhead)

- i) The maximum draw weight of the bow is determined using the longest arrow registered.
  1. *Compound Bows (and/or bows with draw weight let-off): Draw weight is determined at the "break over" point or position of the normally drawn bow at maximum poundage.*
  2. *Bows (without draw weight let-off): The draw weight is measured at the point the arrow can no longer be safely drawn.*
  3. *For bows **without** a shelf or elevated arrow rest: The broadhead must be mounted so that the horizontal rear edge of one of the blades will contact the back of the bow at full draw. This provides a safe stop to prevent accidental over-drawing of the arrow.*
  4. *Only fixed blade broadheads points are acceptable. Mechanical or collapsible type broadheads points will not be allowed.*
  5. *Non-primitive equipment requires a "commercially available" broadhead point. To clarify, acceptable broadhead point are manufactured, sold, and publicly marketed to hunt large size game animals. Custom fabricated and purchased broadhead points are not acceptable. Small game blunts and points are also not acceptable.*
  6. *Broadhead points no longer manufactured are acceptable, provided they originally met the previous point, and meet the dimensional requirements.*
  7. *For non-primitive equipment divisions, the statement "not altered in any way" does not apply to normal sharpening or wear. A dulled cutting edge for safety purposes is also acceptable. The intent is that the broadhead point is not significantly altered to change the size, or weight of the original design.*

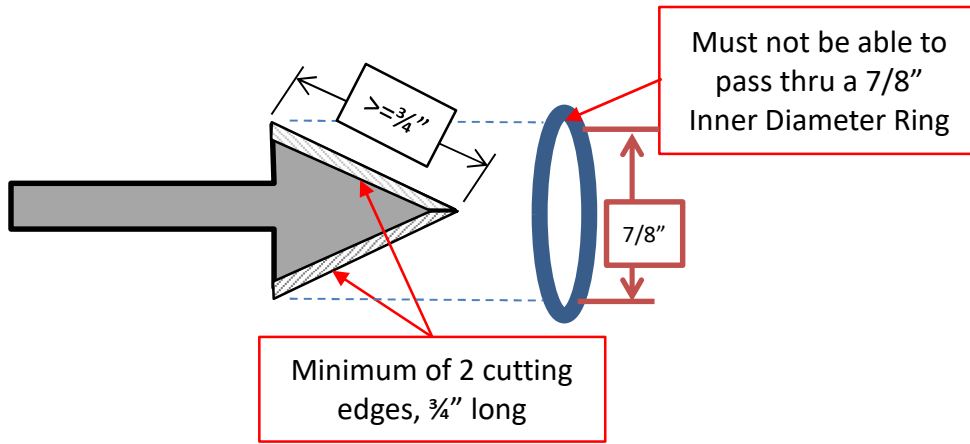


Figure 1 Broadhead Requirements



---

# Broadhead Flight Equipment

---

## 1. CONVENTIONAL BROADHEAD-FLIGHT BOW

---

**The Conventional Broadhead-Flight Bow Division represents conventional (non-compound) bows used for hunting. Conventional Flight Bows, Target Bows, Field Bows, or Modern Asiatic Bows may be shot in this division provided it meets the requirements below.**

### A. BOW

- i) The bow is a hand-held bow constructed so that there is no mechanical advantage obtained by the use of accessory limbs, levers, pulleys, eccentrics, or other similar mechanical devices.
- ii) Keyhole bows, forward handle extensions, and overdraws are allowed.
- iii) Bow length is unrestricted.
- iv) Multi-piece takedowns with variable tiller adjustment are allowed.
- v) The bow may have attached accessories such as stabilizers, draw-check indicators (clicker), angle finders, protective shields, and sights.
- vi) Bow draw weights are as follows:
  - **50 lbs. (22.7 kg)** – Women, Men, and Youth
  - **70 lbs. (31.8 kg)** – Women, Men, and Youth
  - **Unlimited** – Women, Men, and Youth

### B. BOW STRING

- i) There are no restrictions on the bow string construction or type of materials used.

### C. RELEASE

- i) Release aids must be hand-held non-mechanical types and must not have any attachment or anchor above the wrist (with the exception of a shooting glove).
- ii) Acceptable examples of non-mechanical release aids are: hook types (six-gold ring), flipper, fixed hook & loop, strap tab, rope-type release, shooting tab, thumb ring, or shooting glove.

### D. ARROWS

- i) The arrow shaft and nocks may use any synthetic or natural material.
- ii) Fletching shall consist of either feathers or vanes constructed of any natural or synthetic material.
- iii) Minimum arrow weights are as follows:
  - **450 grains** – Men, Women, and Youth
- iv) Broadheads must not pass through a 7/8 inch (22 mm) ring, and must have at least two cutting edges not less than 3/4 inches (19 mm) in length. Broadheads must be commercially manufactured and not altered in any way.

E. ARROW REST

- i) An elevated rest and overdraw is allowed, but must not extend past the brace height of the bow.
- ii) A protective glove for the bow hand is permitted as long as it is not attached directly to the bow.

## 2. BROADHEAD FLIGHT-COMPOUND BOW

---

**The Compound Broadhead Flight Bow Division is unique to the broadhead flight competition. Compound Flight Bows and Compound Target Bows may be shot in this division provided they meet the requirements below.**

### A. BOW

- i) A Compound Flight bow is a hand-shot bow which is constructed so that a mechanical advantage is obtained by the use of accessory limbs, levers, pulleys, eccentrics, or other similar mechanical devices.
- ii) Keyhole bows, forward handle extensions, and overdraws are allowed.
- iii) Accessories such as shields, angle finders, stabilizers, and sights are allowed.
- iv) Multi-piece takedown bows with variable tiller adjustment are allowed.
- v) The bow may have attached accessories such as stabilizers, draw-check indicators (clicker), angle finders, protective shields, and sights.
- vi) Bow draw weights are as follows:
  - **50 lbs. (22.7 kg)** – Women, Men, and Youth
  - **70 lbs. (31.8 kg)** – Women, Men, and Youth
  - **Unlimited** – Women, Men, and Youth

### B. BOW STRING

- i) There are no restrictions on the bow string construction or type of materials used.

### C. RELEASE

- i) Mechanical release aids are allowed.
- ii) A flight release is to be hand-held. No release attachment or anchor above the wrist is permitted (with the exception of a shooting glove).

### D. ARROWS

- i) The arrow shaft and nocks may be of any synthetic or natural material.
- ii) Fletching shall consist of either feathers or vanes.
- iii) If vanes are to be used, they must be commercially manufactured and not altered.
- iv) Minimum arrow weights are as follows:
  - **450 grains** – Women, Men, and Youth
- v) Broadhead points must not pass through a 7/8 inch (22 mm) ring and must have at least two cutting edges not less than 3/4 inches (19 mm) in length. Broadheads must be commercially manufactured and not altered in any way.

### E. ARROW REST

- i) An elevated rest and overdraw is allowed, but must not extend past the brace height of the bow.
- ii) A protective glove for the bow hand is permitted as long as it is not attached directly to the bow.

### 3. BROADHEAD-FLIGHT LONGBOW

---

**The Broadhead Longbow Division is a direct counterpart to the Modern American Longbow division in regular flight. The English Longbow and Yumi may be shot in this division provided they meet the Modern American Longbow division requirements in addition to the following broadhead specific rules.**

#### A. BOW

- i) The Broadhead Longbow must conform to the Modern American Longbow flight rules.
- ii) Bow draw weights are as follows:
  - **50 lbs. (22.7 kg)** – *Women, Men, and Youth*
  - **70 lbs. (31.8 kg)** – *Women, Men, and Youth*
  - **Unlimited** – *Women, Men, and Youth*

#### B. BROADHEAD ARROWS

- i) Arrow construction and materials must conform to those specified in the Modern American Longbow flight rules.
- ii) Fletching shall consist of feathers only.
- iii) Minimum broadhead arrow weights are as follows:
  - **450 grains** – *Women, Men, and Youth*
- iv) Broadheads must not pass through a 7/8 inch (22 mm) ring, and must have at least two cutting edges not less than 3/4 inches (19 mm) in length. Broadheads must be commercially manufactured and not altered in any way.
- v) Broadhead points must be mounted on the arrow shaft so that the horizontal back edge of one of the blades will contact the riser at full draw, acting as a draw stop.

#### 4. BROADHEAD-FLIGHT PRIMITIVE BOW

---

**The primitive divisions require equipment to be made from natural materials only. In addition to the following Broadhead specific rules, primitive broadhead divisions must meet the regular Primitive Division flight rules.**

##### A. BOW

- i) The PRIMITIVE SELF, SIMPLE COMPOSITE, and COMPLEX COMPOSITE are the only divisions scheduled for the Broadhead events. Refer to the regular flight rules regarding equipment rules for these divisions.
- ii) Bow draw weights are as follows:
  - **50 lbs. (22.7 kg)** – *Women, Men, and Youth*
  - **Unlimited** – *Women, Men, and Youth*

##### B. PRIMITIVE BROADHEAD ARROWS

- i) Primitive broadhead arrows materials and construction must meet the regular flight primitive division requirements.
- ii) Fletching shall consist of either legal feathers or vanes using natural materials.
- iii) Minimum arrow weights are as follows:
  - **450 grains** – *Men, Women and Youth*
- iv) Broadhead points must not pass through a 7/8 inch (22 mm) ring and must have at least two cutting edges not less than 3/4 inches (19 mm) in length.
- v) Broadhead points may be made from metallic or other effective natural material.
- vi) For bows where the arrow is supported by the bow hand or arrow shelf:  
Broadhead points must be mounted on the arrow shaft so that the horizontal back edge of one of the blades will contact the riser at full draw, acting as a draw stop.

## 5. BROADHEAD-CROSSBOW

---

### A. BOW

- i) There are no bow design restrictions, provided the archer draws and shoots the bow unsupported.
- ii) There are no restrictions to bow mounted accessories such as a sight, palm rest, or stabilizers. The bow may have attached accessories such as stabilizers, draw-check indicators (clicker), angle finders, protective shields, and sights.
- iii) Bow draw weights are as follows:
  - **Unlimited** – *Women, Men, and Youth*

### B. BOW STRING

- i) There are no restrictions on the bow string construction or type of materials used.

### C. RELEASE

- i) Mechanical trigger release aids may be used to release the arrow.
- ii) Aids such as rope devices will be permitted to assist the archer in the drawing the bow. Crank devices or lever devices are permitted as long as they remain fixed to the bow during shooting.
- iii) Hand protection during drawing of the bow (such as a glove or finger stalls) is acceptable.
- iv) The archer shall shoot the bow unsupported in an upright position, either standing, or seated if required due to disability.

### D. ARROWS

- i) The arrow shaft and nocks may use any synthetic or natural material.
- ii) Fletching shall consist of either feathers or vanes constructed of any natural or synthetic material.
- iii) Minimum arrow weights are as follows:
  - **450 grains** – *Men, Women, and Youth*
- iv) Broadheads must not pass through a 7/8 inch (22 mm) ring, and must have at least two cutting edges not less than 3/4 inches (19 mm) in length. Broadheads must be commercially manufactured and not altered in any way.

### E. ARROW REST & SAFETY

- i) An overdraw with adjustable elevated rest is allowed.
- ii) Crossbow type arrow tracks are allowed.
- iii) Additional safety accessories or features such as protective shields and arrow retaining features are strongly encouraged. Entries deemed potentially unsafe by officials will be disallowed until the issues identified are corrected.
- iv) A crossbow may NOT be drawn or cocked except on the shooting line, and in the direction of the shooting line.